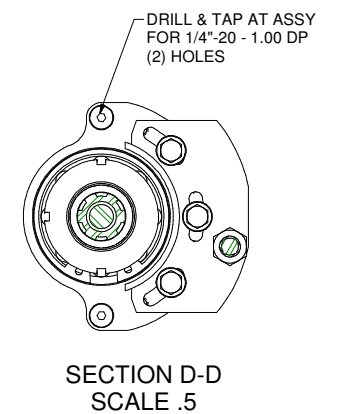
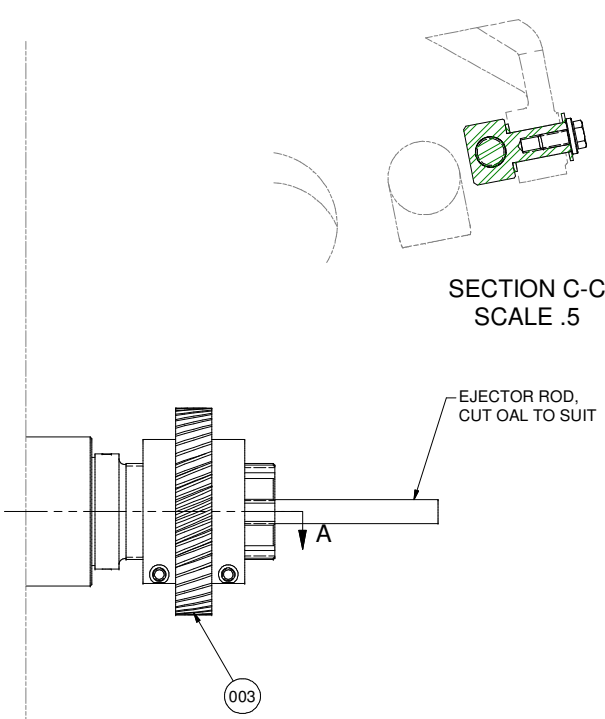
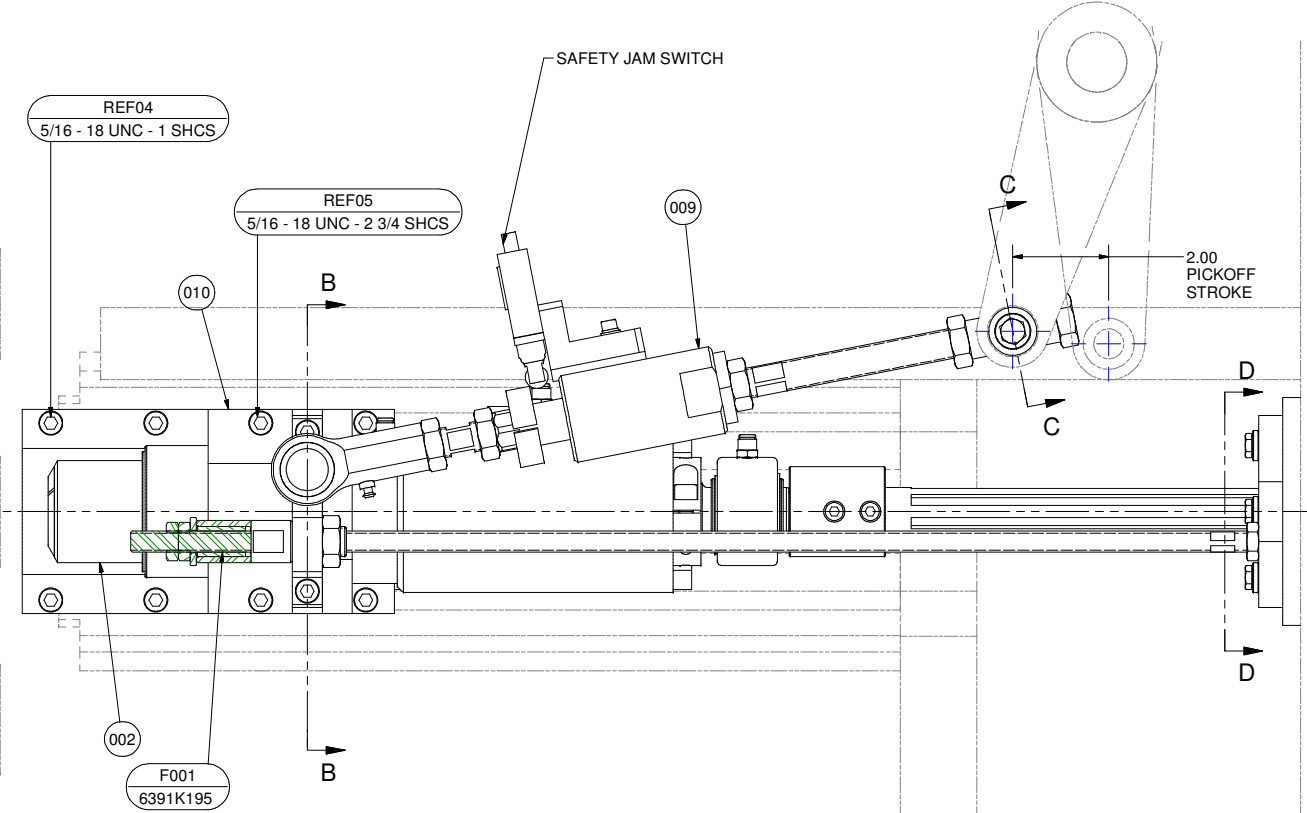
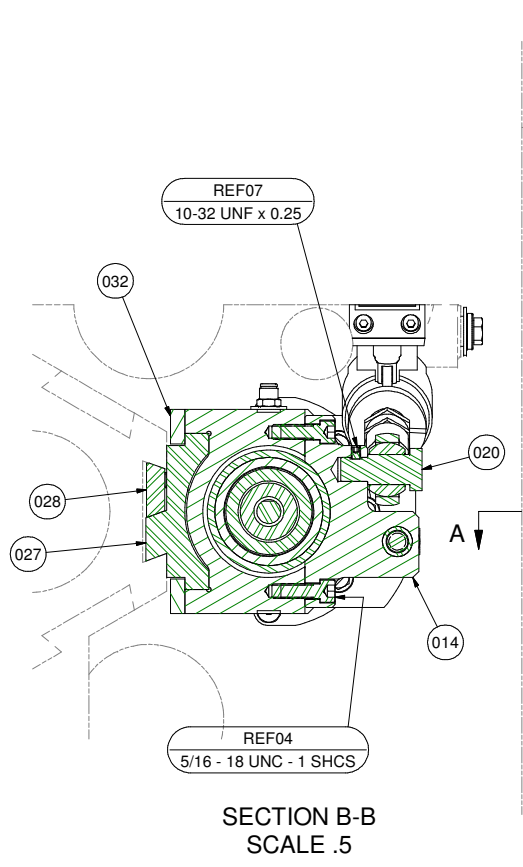
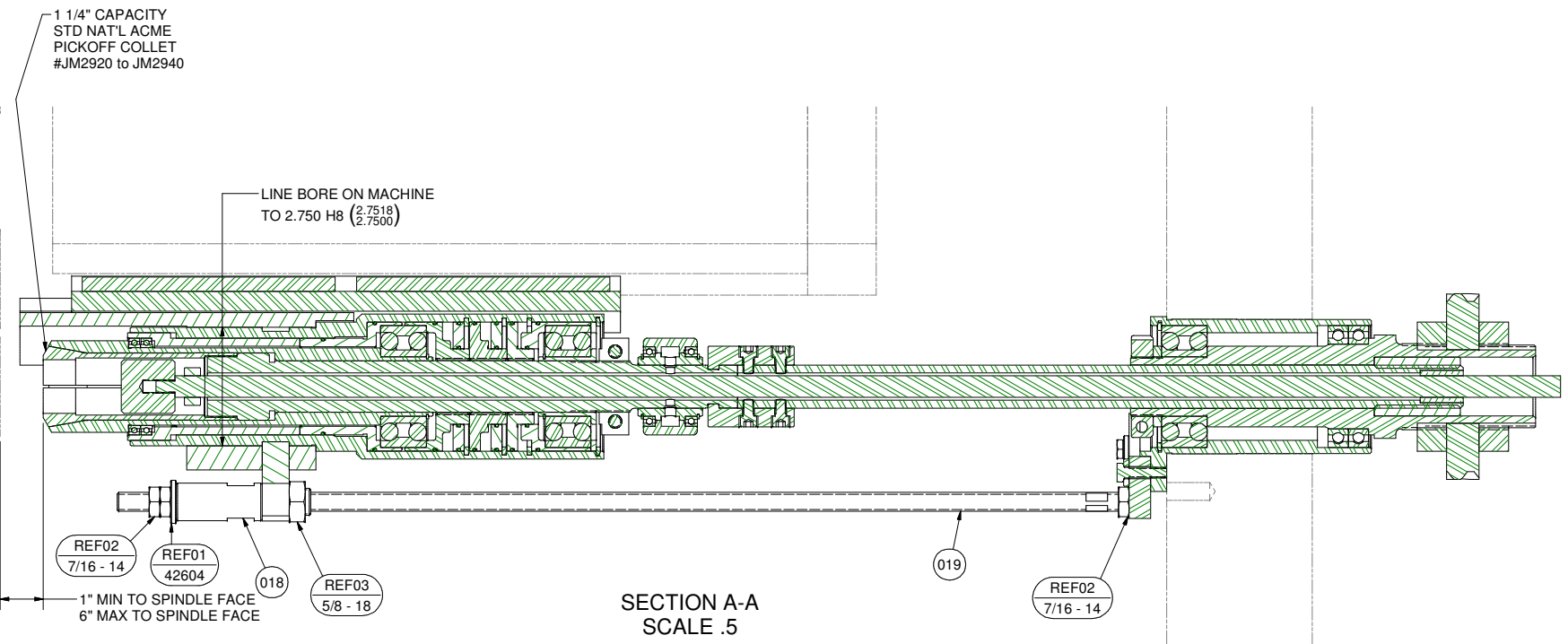


Parts List			
ITEM	QTY	PART NUMBER	DESCRIPTION
002	1	NB52-2002	Pickoff Spindle Assy
003	1	NB52-2003	Drive Unit Assy
009	1	NB52-2009-01	Safety Link Assy
010	1	NB52-2002-010	Square Housing
014	1	NB52-2009-014	Clamp Link
018	1	NB52-2009-018	Sleeve
019	1	NB52-2009-019	Stop Rod
020	1	NB52-2009-020	Link Stem
027	1	NB52-2002-027	Toolside Way Plate
028	2	NB52-2002-028	Locking Gib
032	2	02307-32	GIB
F001	1	6391K195	McMaster Carr - SAE 841 Bronze Sleeve Bearing for 7/16" Shaft Diameter, 5/8" OD, 1" Length
REF01	1	42604	Teco - Hardened Flat Washer - 7 / 16"
REF02	3	7/16 - 14	Hex Nuts (Inch Series) Hex Jam Nut
REF03	1	5/8 - 18	Hex Nuts (Inch Series) Hex Jam Nut
REF04	8	5/16 - 18 UNC - 1 SHCS	Hexagon Socket Head Cap Screw
REF05	2	5/16 - 18 UNC - 2 3/4 SHCS	Hexagon Socket Head Cap Screw
REF06	6	5/16 - 18 UNC - 1/2 SHCS	Hexagon Socket Head Cap Screw
REF07	1	10-32 UNF x 0.25	Hexagon Socket Set Screw - Flat Point



3763 Lapeer Road Suite E  
Port Huron, MI 48060  
Ph - (810) 937-2974  
Fx - (810) 937-2975

**BME INC.**

TOLERANCES (EXCEPT AS NOTED)	52 New Britain		
FRACTIONAL +/- .164			
1 PLACE DEC +/- .015	Pickoff Assy		
2 PLACE DEC +/- .010	SCALE	JOB NO	CHECKED BY
3 PLACE DEC +/- .005	DATE	DRAWN BY	
4 PLACE DEC +/- .0005	6/26/2015	JB	
ANGLES +/- .5	SHEET NO	DRAWING NO.	
	1 OF 1	NB52-2000	

I:\server\p\data\MODEL\SPickoff Assy\NB52-2000 - Pickoff Assy.dwg